

PI144D
Winding 06

STAMFORD

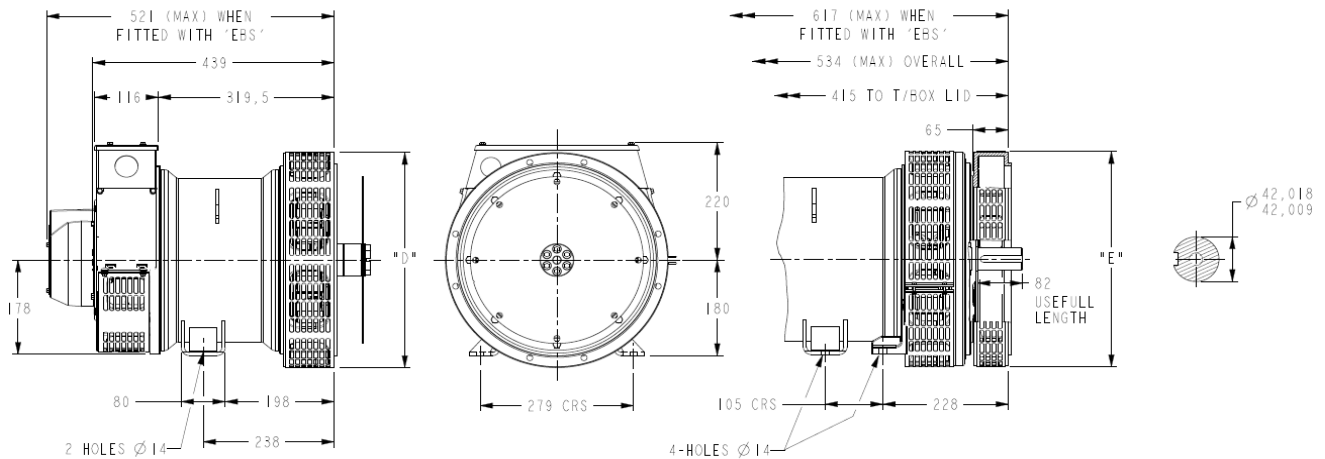
60Hz

RATINGS

Class - Temp Rise	Cont. F - 105/40°C 0.8pf			Cont. H - 125/40°C 0.8pf			Standby - 150/40°C 0.8pf			Standby - 163/27°C 0.8pf		
Series (V)	220	230	240	220	230	240	220	230	240	220	230	240
Parallel (V)	110	115	120	110	115	120	110	115	120	110	115	120
kVA	14.3	14.9	15.5	15.7	16.3	17.0	16.8	17.6	18.3	17.2	18.0	18.7
kW	11.4	11.9	12.4	12.6	13.0	13.6	13.4	14.1	14.6	13.8	14.4	15.0
Efficiency (%)	77.7	77.7	77.8	77.7	77.8	77.8	77.6	77.7	77.8	77.6	77.7	77.8
kW Input	14.7	15.3	15.9	16.2	16.7	17.5	17.3	18.1	18.8	17.8	18.5	19.3

Class - Temp Rise	Cont. F - 105/40°C 1.0pf			Cont. H - 125/40°C 1.0pf			Standby - 150/40°C 1.0pf			Standby - 163/27°C 1.0pf		
Series (V)	220	230	240	220	230	240	220	230	240	220	230	240
Parallel (V)	110	115	120	110	115	120	110	115	120	110	115	120
kVA	19.1	19.1	19.1	21.0	21.0	21.0	22.6	22.6	22.6	23.1	23.1	23.1
kW	19.1	19.1	19.1	21.0	21.0	21.0	22.6	22.6	22.6	23.1	23.1	23.1
Efficiency (%)	82.1	82.3	82.5	81.8	82.1	82.3	81.5	81.9	82.2	81.4	81.8	82.1
kW Input	23.3	23.2	23.2	25.7	25.6	25.5	27.7	27.6	27.5	28.4	28.2	28.1

DIMENSIONS



COUPLING DISC	
SAE	"AN"
6.5	30.2
7.5	30.2
8	62
10	53.8
11.5	39.6

1-BRG ADAPTOR	
SAE	"D"
5	361
4	405
3	451
2	489

8-HOLES SPACED AS 12
8-HOLES SPACED AS 12

2-BRG ADAPTOR	
SAE	"E"
5	359
4	406
3	455
2	493