



DEEP SEA ELECTRONICS PLC

DESCRIPTION

The 808 **PC Software Configuration Interface** is designed for use with the following DSE systems:

511/512 manual start.
520/521/560 auto-start.
530 automatic transfer switch.
540 range of protection expansion/annunciator modules.
The 808 interface will also be used to configure a number of future DSE modules.

The 808 interface allows the user to access the configuration stored within the module, enabling changes to be made to the settings e.g.

Edit **MISCELLANEOUS** items

Edit **CONFIGURABLE INPUTS**

Edit **RELAY OUTPUTS**

Edit **FRONT PANEL LED'S**

Edit **SYSTEM TIMERS**

Edit **ANALOGUE LEVELS**

The interface kit comprises:

Interface module.

25 way to 9 way RS232 adapter cable and interconnecting FCC 68 cable to allow connection to the module.

CD containing the MS-Windows™ based PC software and various module configuration files to aid rapid module configuration.

Also included on the CD is a program which can be used to make labels for the configurable LEDs on a module to identify functions.

The software offers the following options:

LOAD previous configurations from disk.

SAVE new configurations to disk.

READ the existing configuration from the module.

WRITE a new configuration to the module.

EDIT the configuration currently loaded in the PC.


PRINT the configuration currently loaded in the PC.

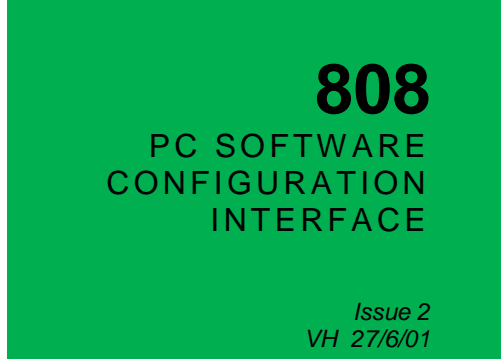
View the **DIAGNOSTIC** display from the module.

CALIBRATE the module meter drive output.

SET-UP the software, such as COM port selection.

QUIT

 **NOTE**
For further details on using the software and configuration options, please refer to the 808 Operating Manual.



SPECIFICATON

DC SUPPLY :

The 808 interface is powered from the module to which it is connected so no external power supply is required. The module however will need to be connected to a suitable DC supply.

DIMENSIONS:

57mm x 55mm x 16mm

OPERATING TEMPERATURE RANGE:

-15 to +55°C

INDICATIONS:

'Link OK' in corner of diagnostic screen plus link status indication.

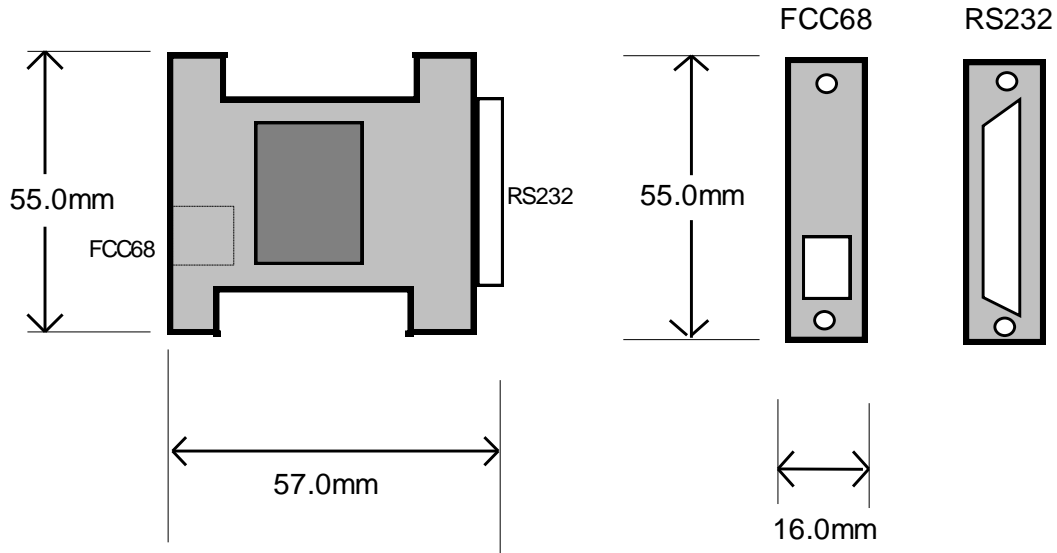
PC REQUIREMENTS:

Processor:
486 66Mhz
Operating System:
Windows 95/98/2000, Windows NT.
Ram:
16Mb
Monitor:
14 inch SVGA (640x480 resolution)
Fixed disk:
10Mb free (80Mb minimum)
Disk drive:
CD-ROM drive for software installation.
Communications:
An RS232 comms port is needed to communicate with the 808.

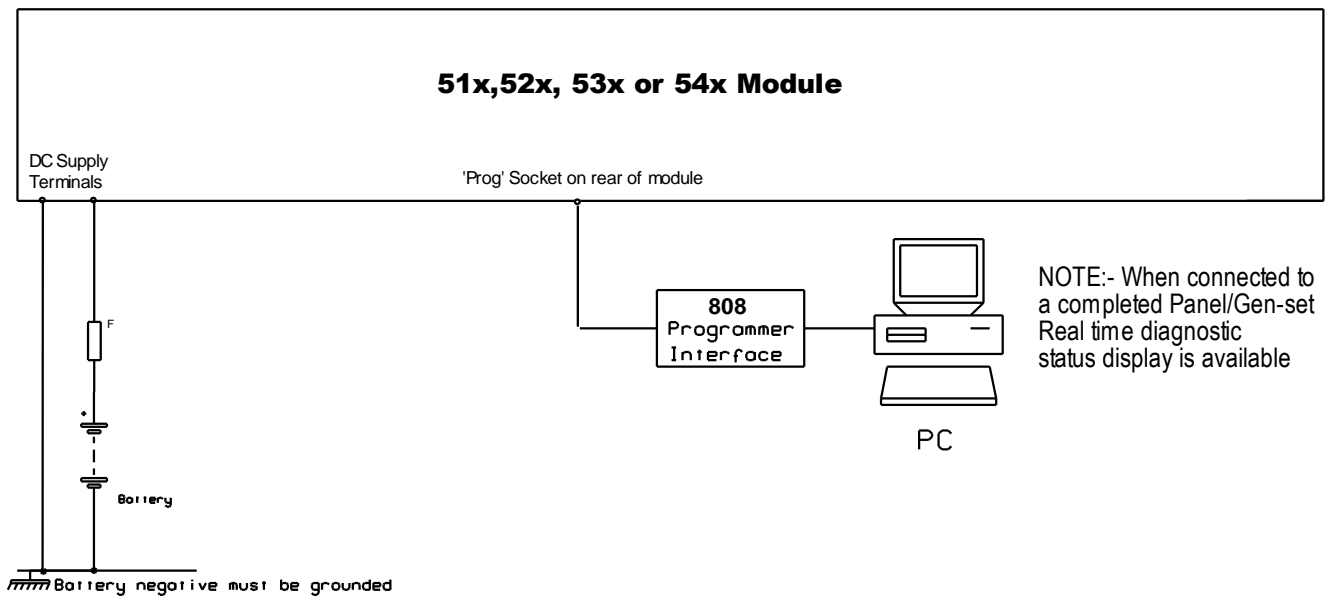
CONNECTION:

The interface should be connected to the appropriate PC COM port on your computer system, and the FCC68 cable inserted into the socket on the rear of the module to be configured.

CASE DIMENSIONS



TYPICAL CONNECTIONS



Deep Sea Electronics plc

Highfield House, Hunmanby Industrial Estate, North Yorkshire, YO14 0PH, England
Tel: +44 (0) 1723 890099 Fax: +44 (0) 1723 893303 E-mail sales@deepseapl.com