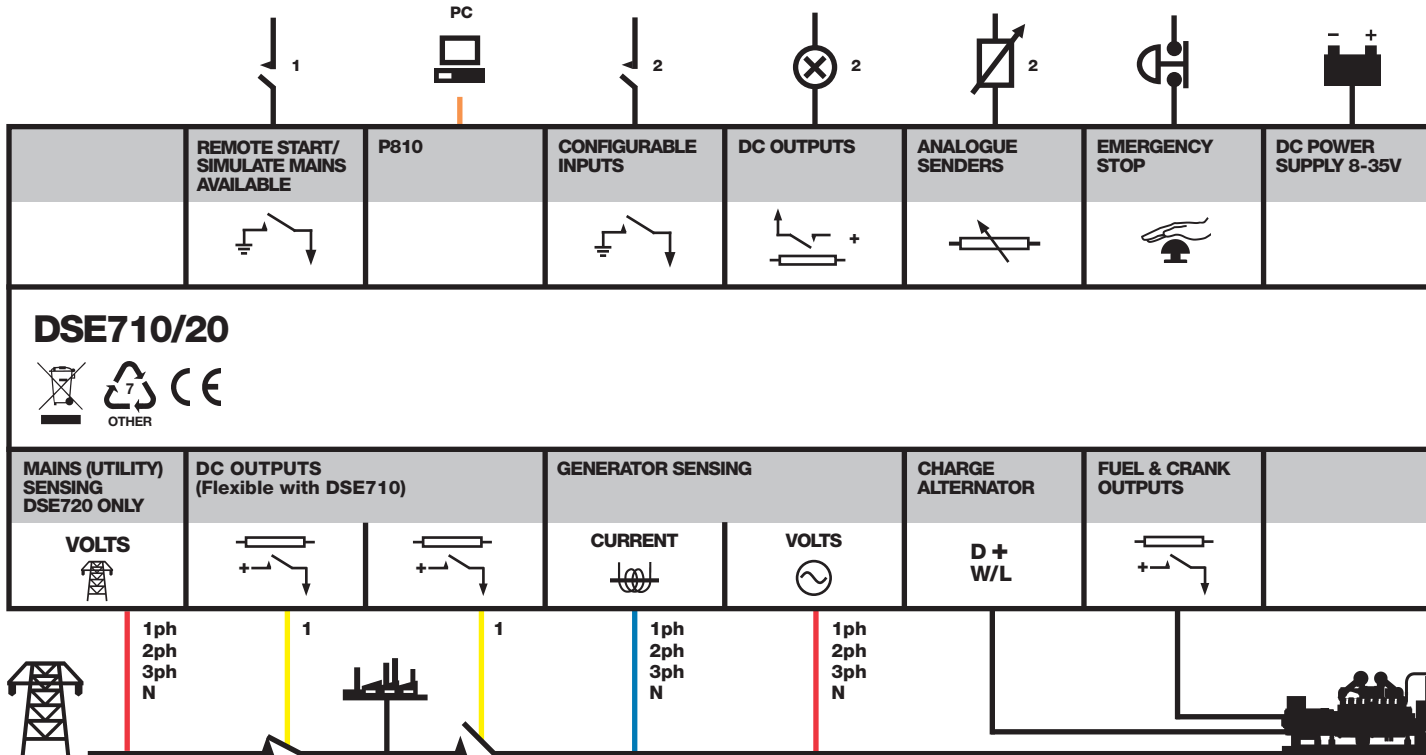
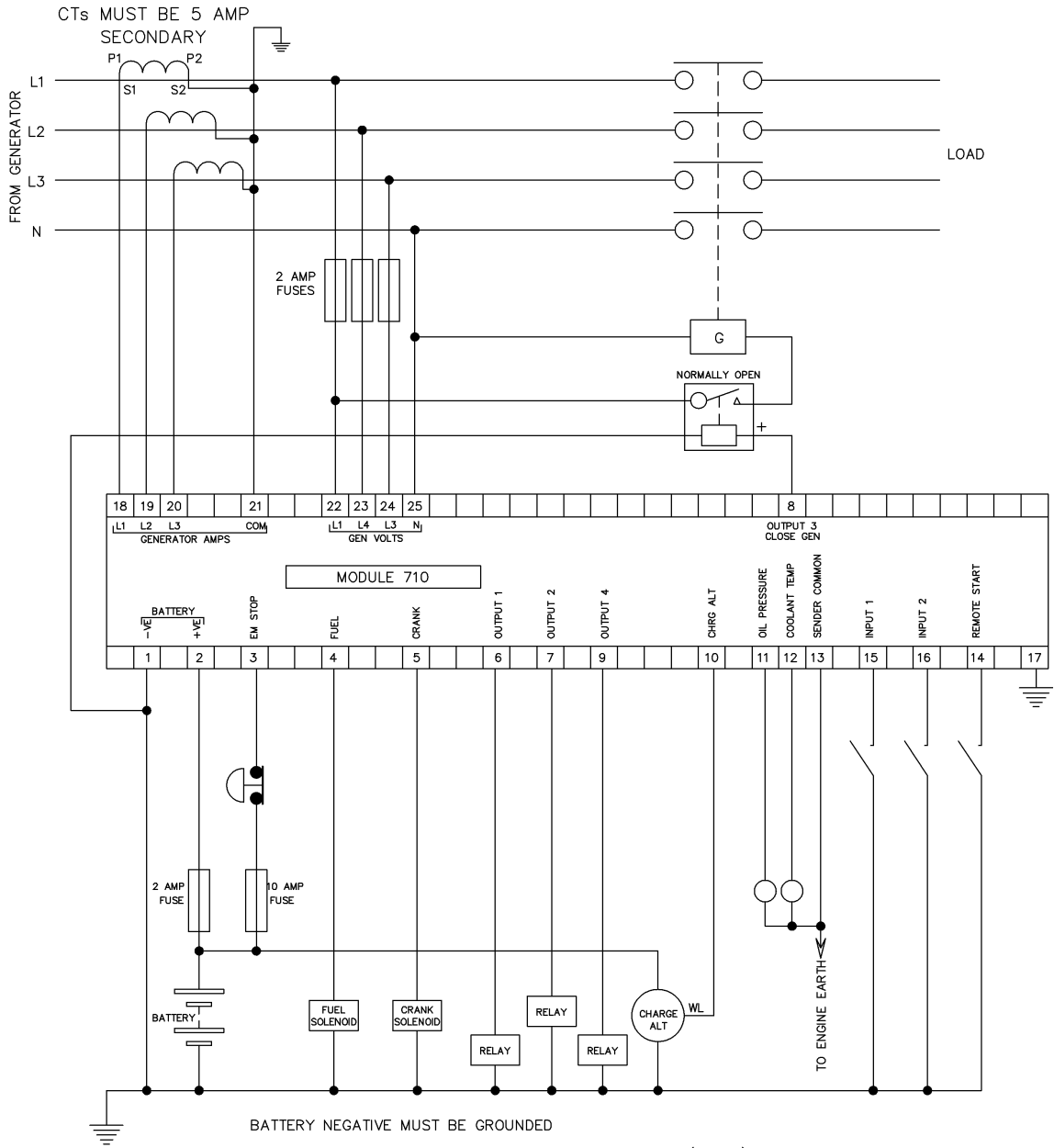


# DSE710/20

## AUTO START AND AUTO MAINS FAILURE CONTROL MODULES



# 10 TYPICAL WIRING DIAGRAM



SCREW TERMINALS TIGHTENING TORQUE = 0.8Nm (7lb-in)

NOTE. ALL THE OUTPUTS ARE SOLID STATE AND ARE POSITIVE SWITCHING

# 10 TYPICAL WIRING DIAGRAM

