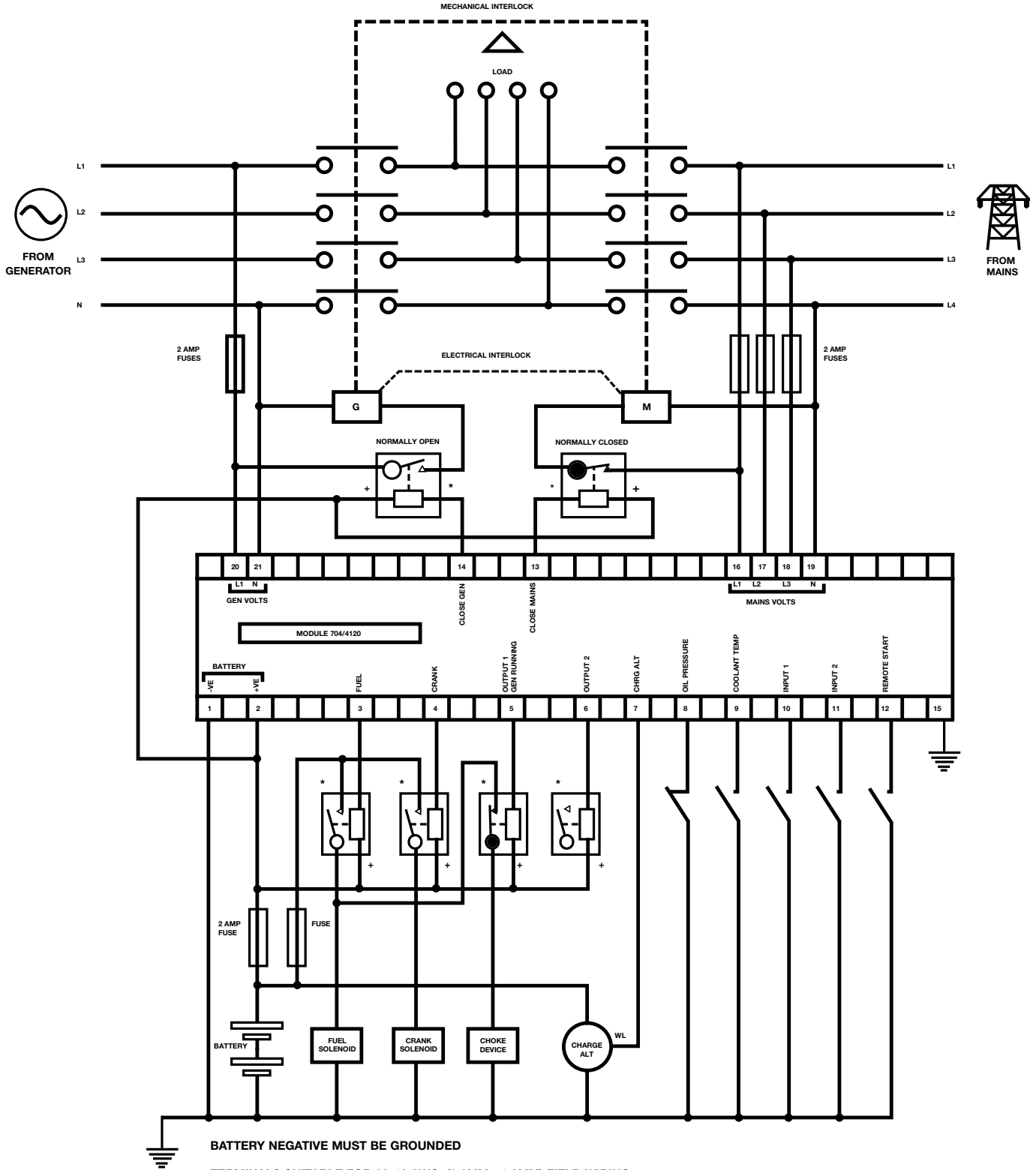


DSE704 DIAGRAM.



BATTERY NEGATIVE MUST BE GROUNDED

TERMINALS SUITABLE FOR 22-16 AWG (0.6MM - 1.3MM) FIELD WIRING

TIGHTENING TORQUE = 0.8Nm (7lb-in)

*NOTE. ALL THE OUTPUTS ARE SOLID STATE AND ARE NEGATIVE SWITCHING

WEBSITE

www.deepseapl.com

CALL US TODAY
1-888-POWER-58

REQUEST A QUOTE
parts@genpowerusa.com

SHOP ONLINE
www.genpowerusa.com