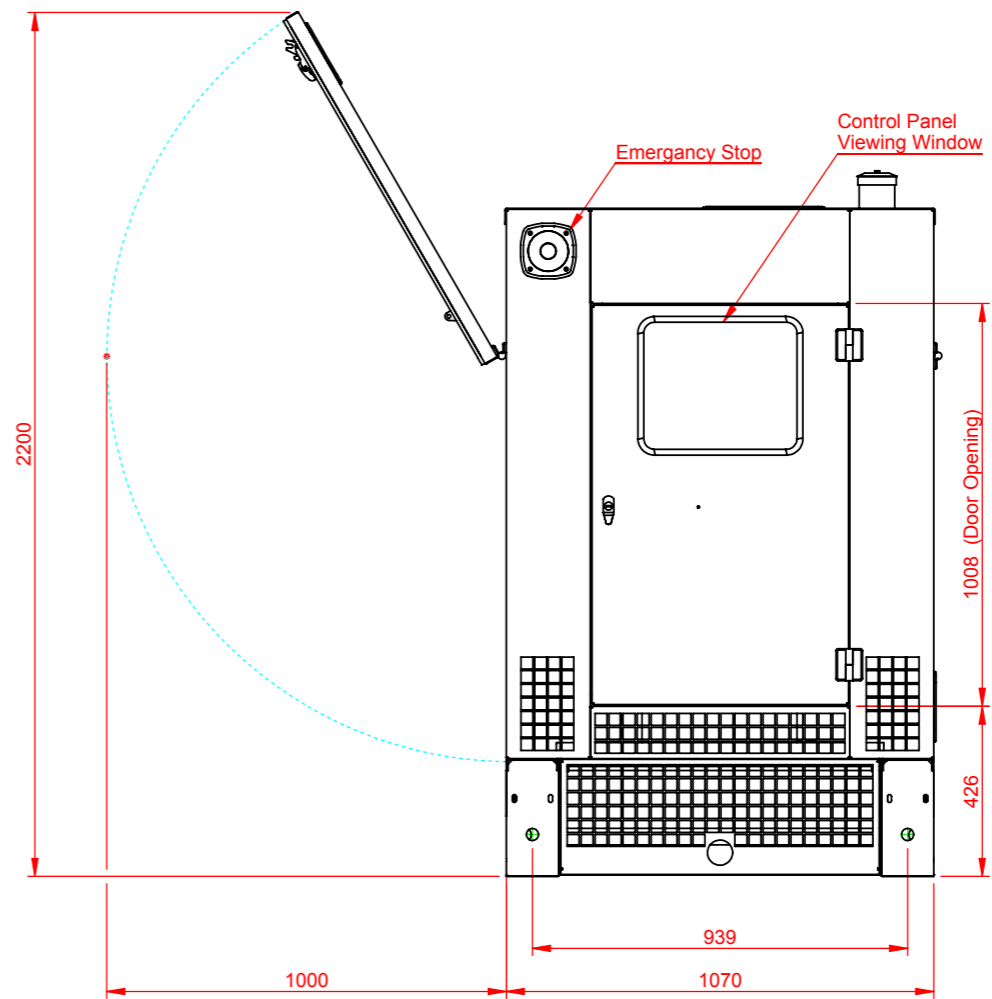
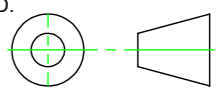


Model Illustrated - BCD100-60 T3  
 For Individual Gen Set Model Types See Broadcrown Literature  
 Useable Fuel Capacity: Integral - Bunded - 230L / Integral - 205L  
 Generator Is To Be Placed On A Flat Floor Or Concrete Base

BC Ref	Engine	Alternator	Oil Capacity (L)	Cooling Capacity (L)	Dry Weight (kg)	Wet Weight (Kg)
BCJD 70-60	4045 TF158	UCI224 F	12	25	1425	1640
BCJD 80-60	4045 TF258	UCI224 G	12	25	1800	2015
BCJD 100-60	4045 HF158	UCI274 C	12	25	1945	2160
BCJD 50-60 T3	4024 HF285	UCI224 D	7.5	13	1635	1750
BCJD 60-60 T3	5030 HF285	UCI224 F	7.5	13	1855	1970
BCJD 80-60 T3	4045 HF285	UCI224 G	12	15	2055	2170
BCJD 100-60 T3	4045 HF285	UCI274 C	12	15	2075	2190



REV	DETAILS	APP'D	DATE

NOTES - MECHANICAL  
 TOLERANCES:  
 GENERAL TOLERANCES: +/- 5mm  
 FABRICATION: +/- 3mm  
 HOLE CENTRES: +/- 1mm  
 OTHER TOLERANCES AS OTHERWISE STATED WHERE REQUIRED  
 GEOMETRICAL AND OTHER TOLERANCES AS STATED.  
  
 THIRD ANGLE PROJECTION

DESCRIPTION  
 Canopy 2 60Hz Sales GA

SHEET 1 of 1  
 CREATED BY: L.Richards  
 DATE: 10.11.2011  
 MODIFIED BY:  
 DATE:  
 CHECKED BY: P.Rutter  
 DATE: 17.11.2011  
 ISSUE: A

DRAWING No:  
**JGA139**

**broadcrown**  
 Broadcrown Limited (Group Headquarters)  
 Airfield Industrial Estate, Hixon, Stafford,  
 ST18 0PF, United Kingdom.  
 tel: +44 (0) 1889 272200  
 www.broadcrown.com

MATERIAL:	
FINISH:	