

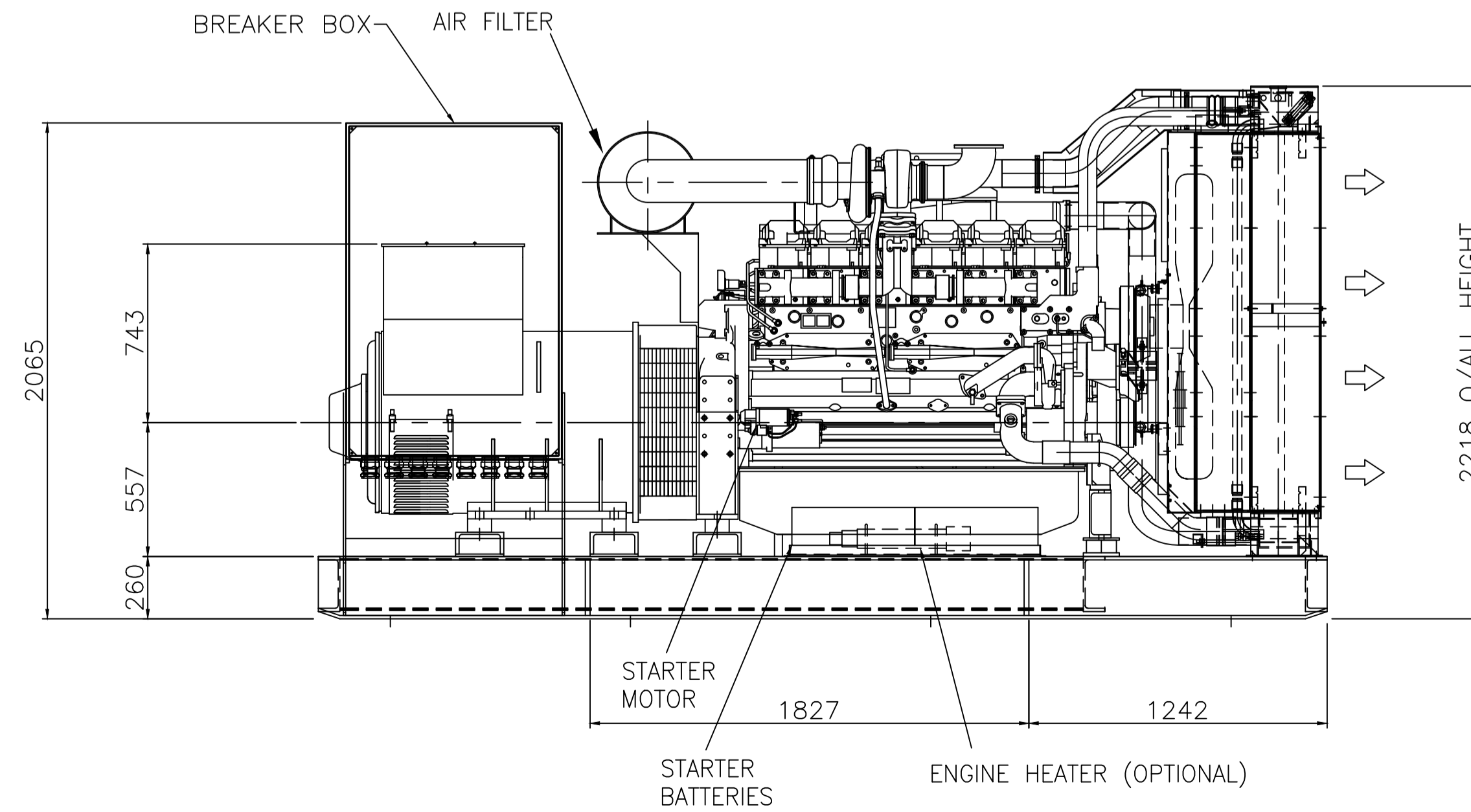
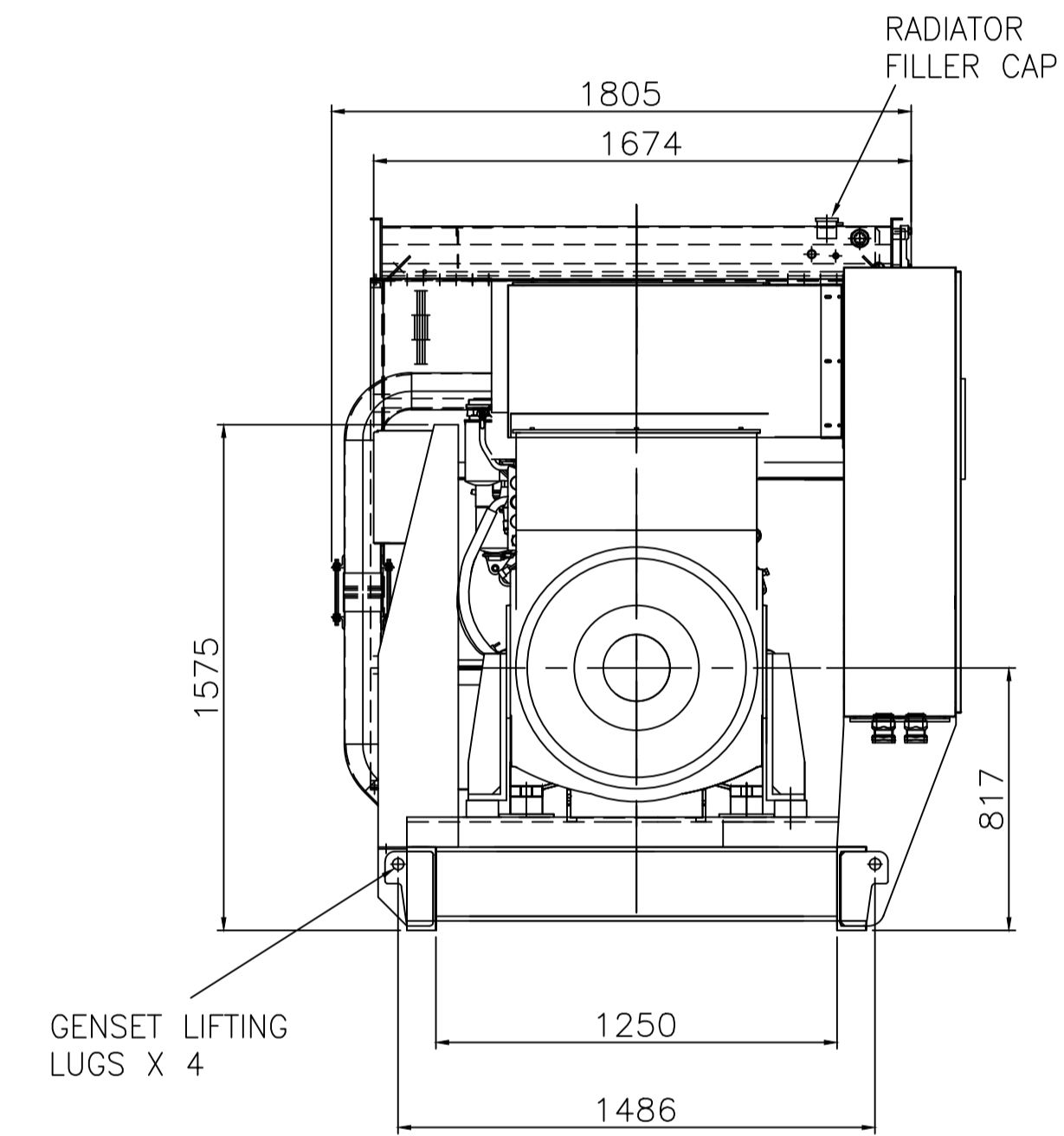
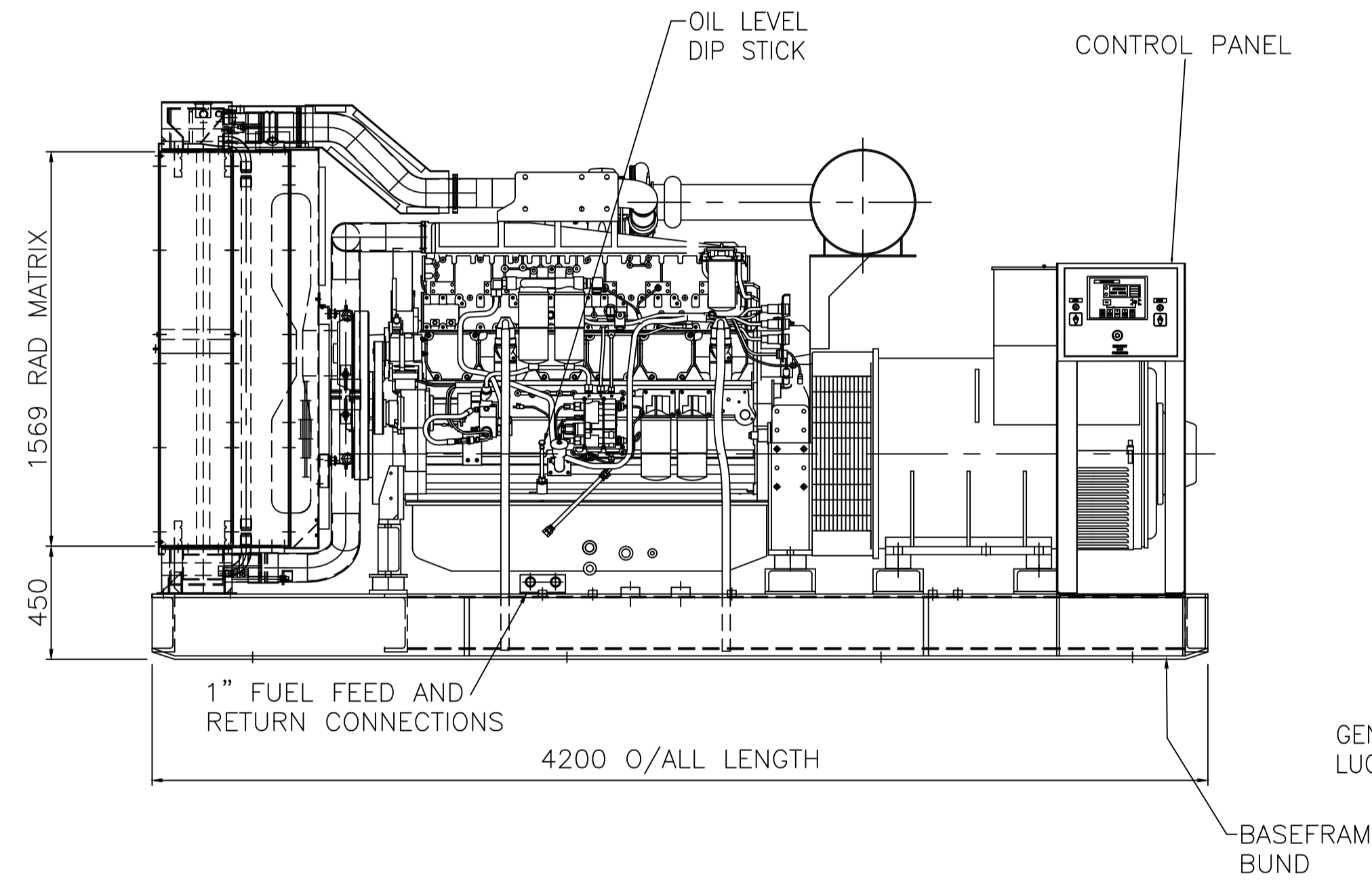
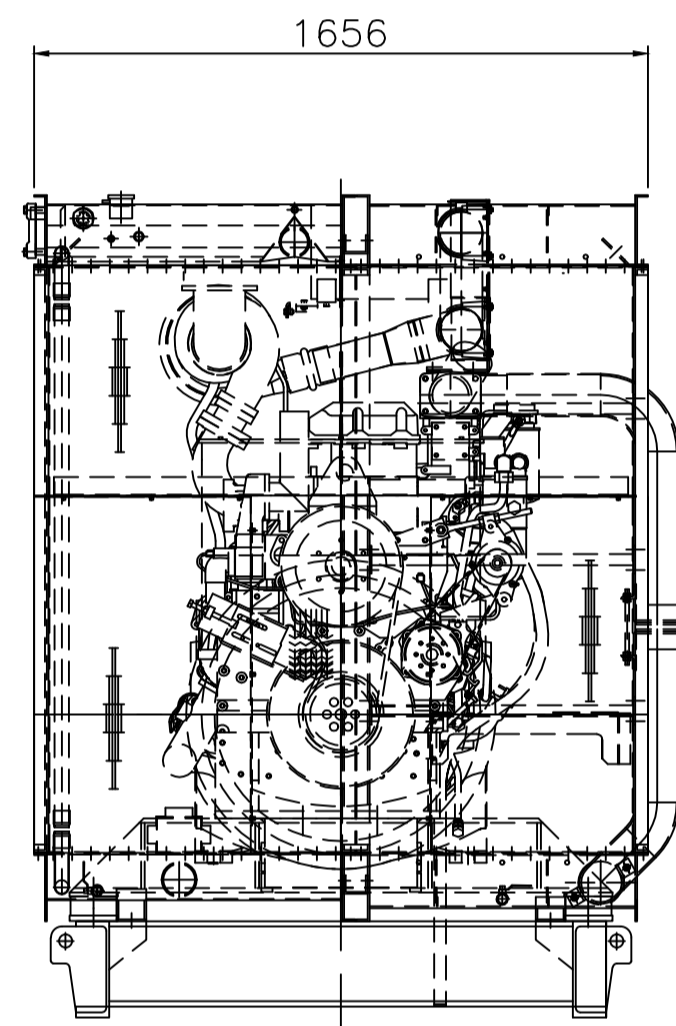
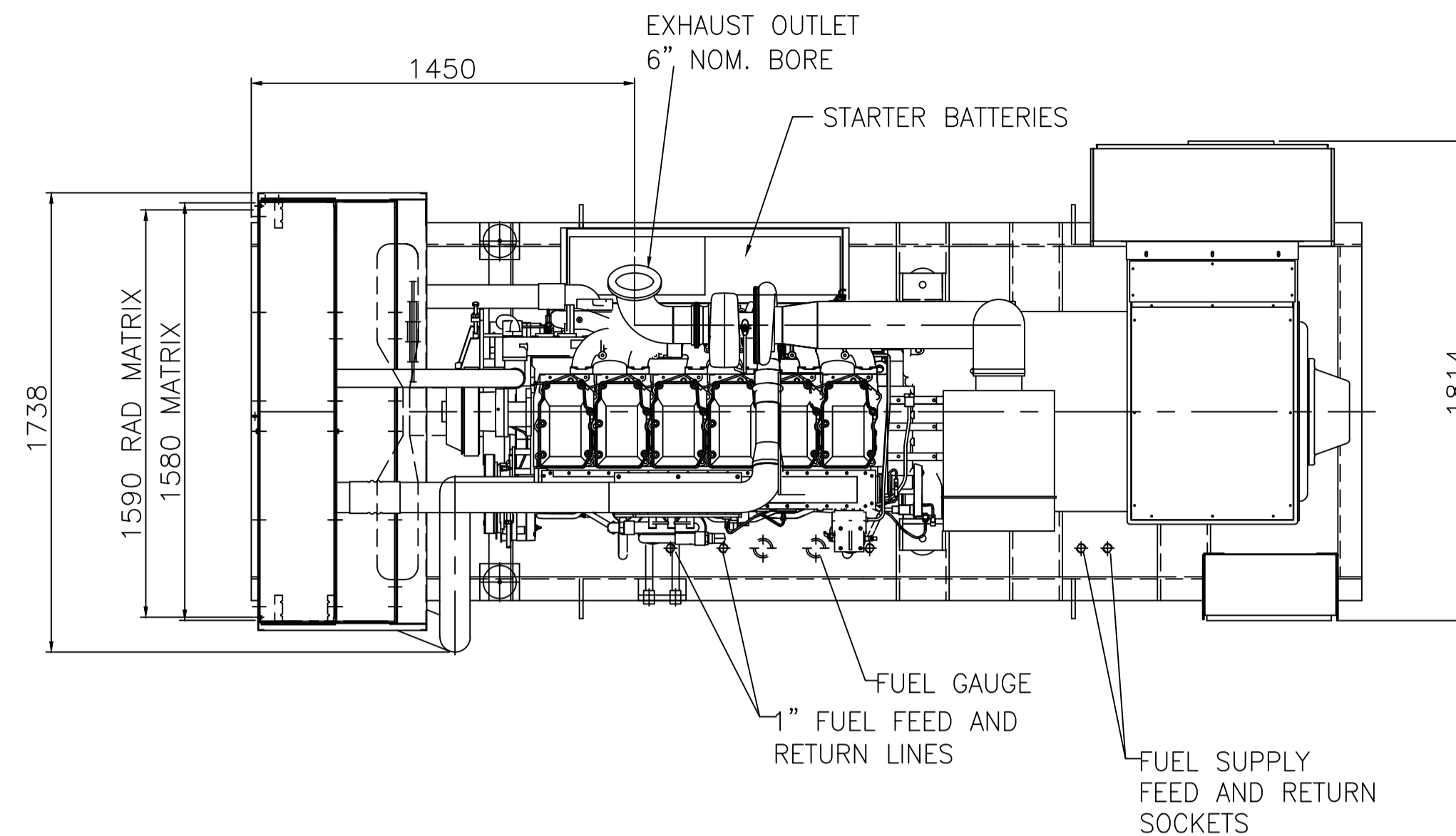
GENSET DETAILS—
 ENGINE: CUMMINS QSK23 G7
 ALTERNATOR: NEWAGE HCI 634G (SINGLE BEARING)
 RADIATOR: BEARWARD 56703
 A.V. MOUNTS: FARRAT ISOLATOR RM SERIES
 FRONT ENGINE FEET: AVM-R1255BN6
 REAR ENGINE AND ALTERNATOR FEET: AVM-R10055BN7
 OUTPUT: 725 kW @ 1800 RPM (PRIME RATING)
 OUTPUT: 800 kW @ 1800 RPM (STANDBY RATING)
 WEIGHTS:—
 ENGINE: 2755 KG DRY, 2805 KG WET
 ALTERNATOR: 1963 KG
 RADIATOR: 400 KG DRY, 460 KG WET

BASIC GENERATOR WEIGHT: 5923 KG (DRY), 6033 KG (WET)

CONTROL PANEL: 20 KG

BREAKER BOX: 250 KG
 FUEL TANK - 720 LITRES: 243 KG (DRY) 855 KG (WET)

COLOURS:—
 ENGINE :- MAIZE YELLOW
 ALTERNATOR, BASEFRAME & RADIATOR:— SEMI GLOSS BLACK



X	AS INSTALLED.	DKB	15.08.08
No.	ALTERATIONS	CHK'D	DATE

NOTES - MECHANICAL

TOLERANCES:
 GENERAL TOLERANCE + / - 5MM
 FABRICATION + / - 3MM
 HOLE CENTRES + / - 1MM
 OTHER TOLERANCES AS STATED WHERE REQUIRED

DO NOT SCALE IF IN DOUBT ASK

THIRD ANGLE PROJECTION

NOTES - ELECTRICAL

TITLE: GENSET GENERAL ARRANGMENT	
CLIENT: BROADCASTOR INC.	
SITE:	
W.O. No.:	ENGINEER: DKB
TYPE:	DRAWN BY: DKB
SCALE: 1:20	DATE: 18.01.08
TOTAL NO. OF SHEETS (1 - 999)	
DRAWING NO. BCC800S-GA01-A1	
ISSUE X	

broadcrown
 Broadcrown Ltd, Airfield Industrial Estate
 Hixon, Stafford, Staffs ST18 0PF, England
 tel:+44 (0) 1889 272200
 email: info@broadcrown.co.uk
 www.broadcrown.com