

FOR INDIVIDUAL GEN SET MODEL TYPES SEE BROADCAST LITERATURE

USEABLE FUEL CAPACITY:

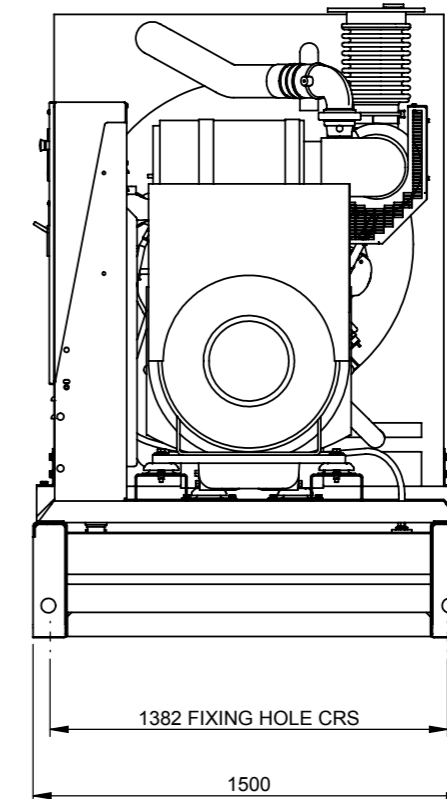
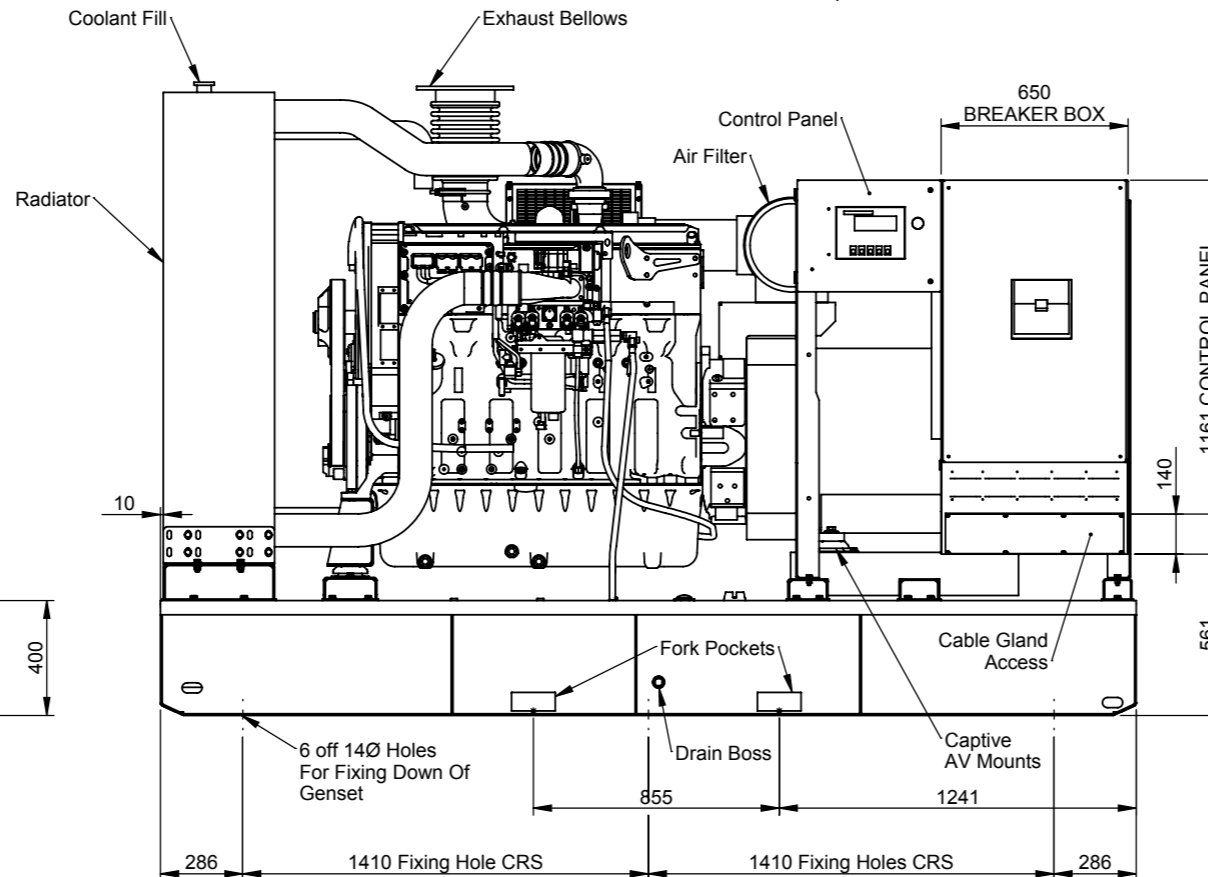
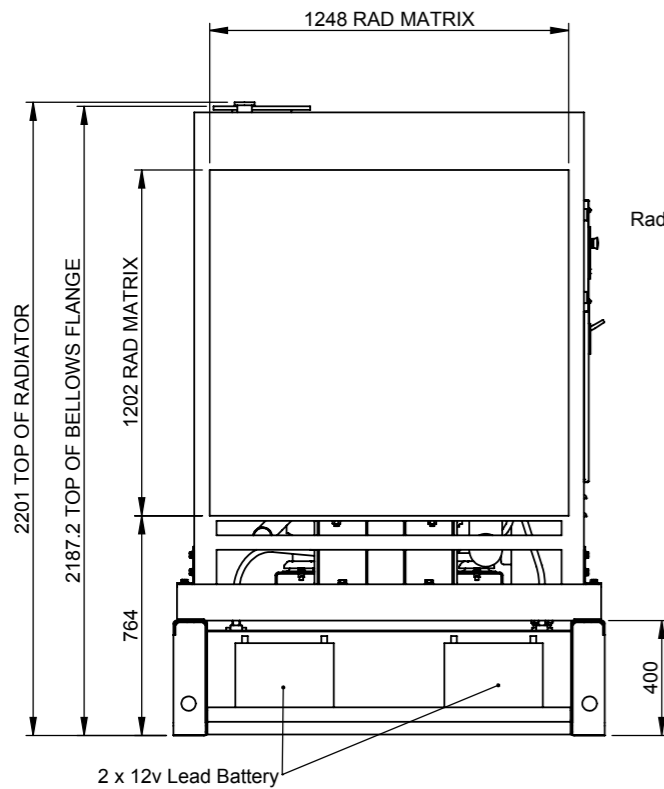
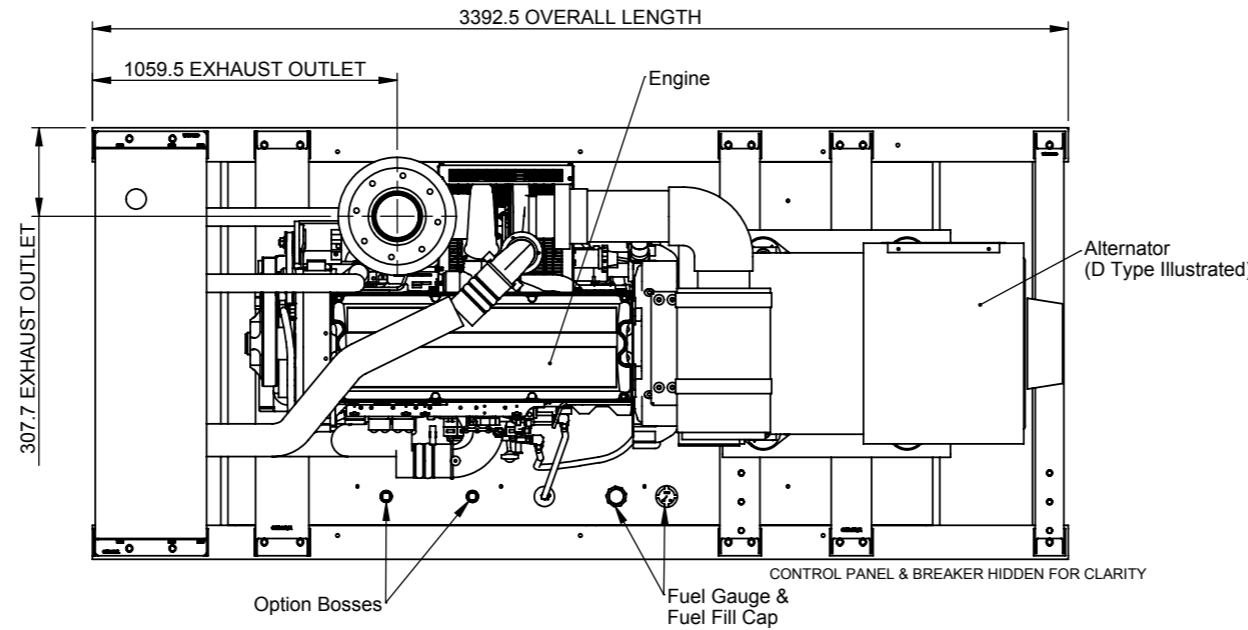
INTEGRAL = 762L  
 BUNDED = 705L

OIL CAPACITY = 91L

COOLING CAPACITY = 42L

GENERATOR IS TO BE PLACED ON A FLAT FLOOR OR CONCRETE BASE

Gen Set Model	Engine	Alternator	Weight (Dry)	Weight (Wet)
BCC-500-60 T2/F	QSX15-G9	HCI 544 D	4006Kg	4782Kg
BCC-500-60	QSX15-G9	HCI 544 D	4006Kg	4782Kg
BCC-450-60	QSX15-G7	HCI 544 C	3876Kg	4653Kg
BCC-400-60	QSX15-G4	HCI 444 F	3643Kg	4420Kg

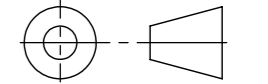


REV	DETAILS	APP'D	DATE

NOTES - MECHANICAL

TOLERANCES:  
 GENERAL TOLERANCES: +/- 5mm  
 FABRICATION: +/- 3mm  
 HOLE CENTRES: +/- 1mm  
 OTHER TOLERANCES AS OTHERWISE STATED WHERE REQUIRED

GEOMETRICAL AND OTHER TOLERANCES AS STATED.



THIRD ANGLE PROJECTION

DESCRIPTION:  
 QSX15-G9/G7/G4 - HCI544C/D / HCI444F  
 60Hz SALES ASSY DRAWING

SHEET 1 of 1

CREATED BY:	I RUTTER
DATE:	22/05/12
MODIFIED BY:	
DATE:	
CHECKED BY:	S BEAN
DATE:	22/05/12
ISSUE:	A

DRAWING No  
**CGA021**

**broadcrown**  
 Broadcrown Limited (Newtown Production Facility)  
 Unit 38, Mochdre Industrial Park, Newtown,  
 Powys, SY16 4LE, United Kingdom.  
 tel: +44 (0) 1686 629888  
 www.broadcrown.com

MATERIAL:	
FINISH:	