

FOR INDIVIDUAL GEN SET MODEL TYPES SEE BROADCAST LITERATURE

ENGINE TYPE: CUMMINS QSL9-G2, G3, G5 (60Hz)

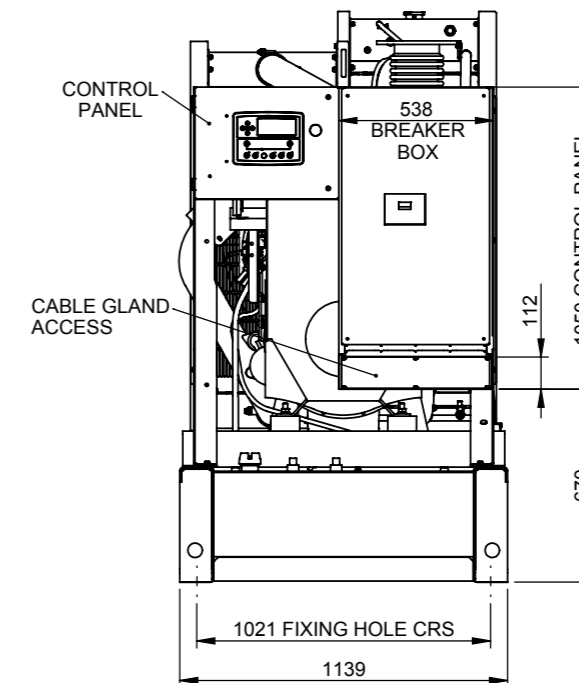
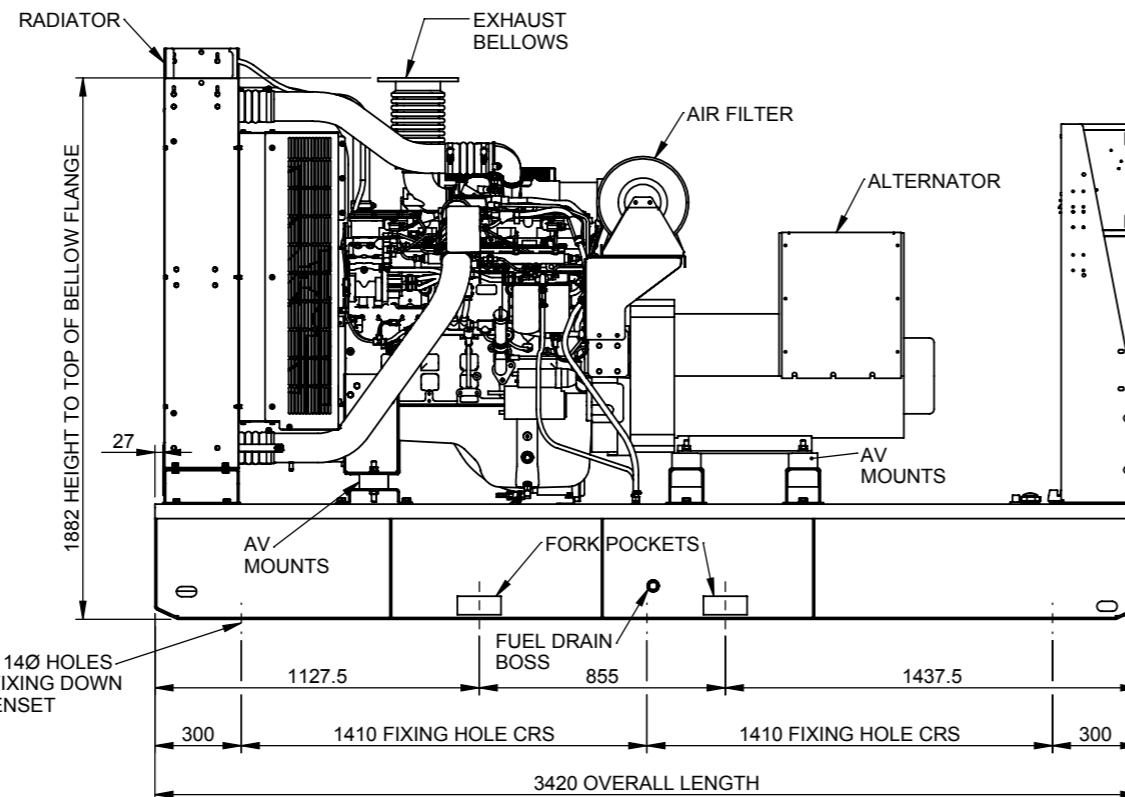
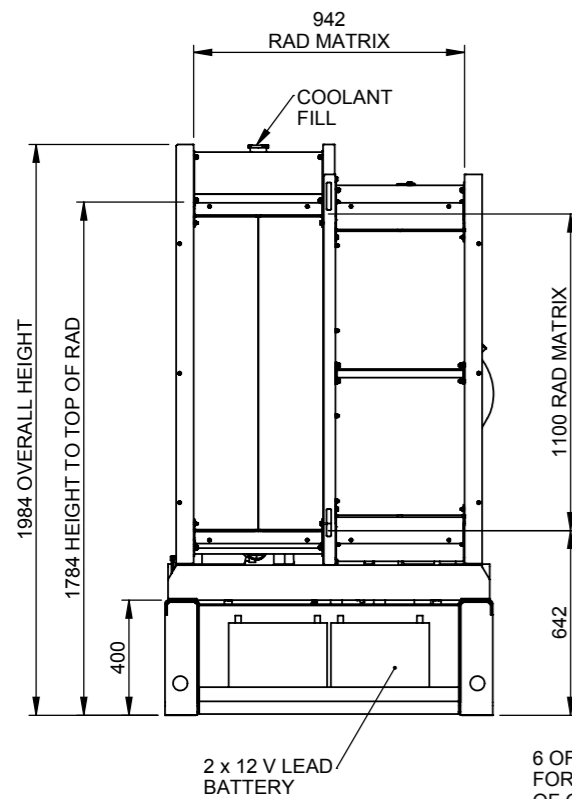
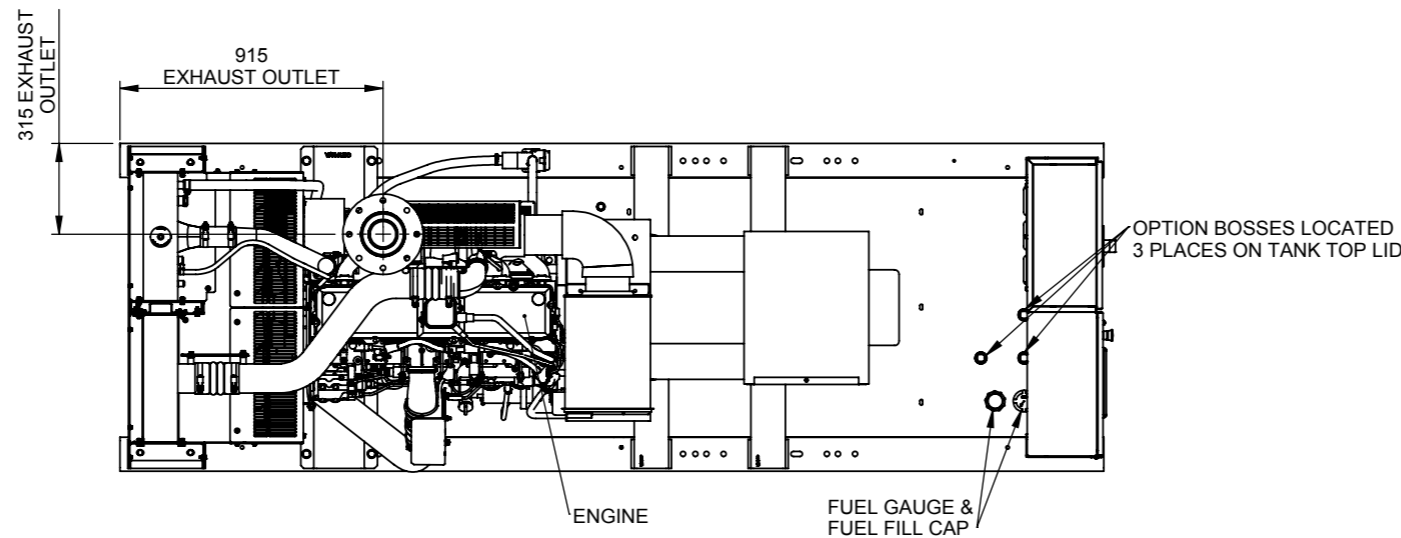
USABLE FUEL CAPACITY: (INTEGRAL) 711 LITRES  
(BUNDED) 642 LITRES

OIL CAPACITY: 26.5 LITRES

COOLING CAPACITY: 39.4 LITRES

GENERATOR TO BE PLACED ON A FLAT FLOOR OR CONCRETE BASE

GEN SET MODEL	ENGINE	ALTERNATOR	WEIGHT (DRY)	WEIGHT (WET)
BCC 240-60 T3/F	QSL9-G2	UCDI274J	2263Kg	2876Kg
BCC 250-60 T3/F	QSL9-G3	UCDI274K	2263Kg	2876Kg
BCC 300-60	QSL9-G5	HCI444D	2483Kg	3096Kg



B	FUEL, OIL, COOLANT (LITRES) & OVERALL WEIGHTS CORRECTED	IWR	20/03/13
C	QSL9-G2 & QSL9-G5 ADDED.	IWR	11/06/13

REV	DETAILS	APP'D	DATE
-----	---------	-------	------

NOTES - MECHANICAL  
TOLERANCES:  
GENERAL TOLERANCES: +/- 5mm  
FABRICATION: +/- 3mm  
HOLE CENTRES: +/- 1mm  
OTHER TOLERANCES AS OTHERWISE STATED WHERE REQUIRED  
GEOMETRICAL AND OTHER TOLERANCES AS STATED.  
THIRD ANGLE PROJECTION

DESCRIPTION  
CUMMINS QSL9-G2 - UCDI274J / QSL9-G3 - UCDI274K / QSL9-G5 - HCI444D 60Hz  
OPEN FRAME 6 SALES GA

SHEET 1 of 1	
CREATED BY:	I RUTTER
DATE:	10/10/2012
MODIFIED BY:	I RUTTER
DATE:	11/06/2013
CHECKED BY:	P RUTTER
DATE:	11/06/2013
ISSUE:	C

DRAWING No:  
**CGA041**

**broadcrown**  
Broadcrown Limited (Group Headquarters)  
Airfield Industrial Estate, Hixon, Stafford,  
ST18 0PF, United Kingdom.  
tel: +44 (0) 1889 272200  
www.broadcrown.com

MATERIAL:	
FINISH:	