

FOR INDIVIDUAL GEN SET MODEL TYPES SEE BROADCAST LITERATURE

ENGINE TYPE: CUMMINS QSB7-G SERIES(60Hz)

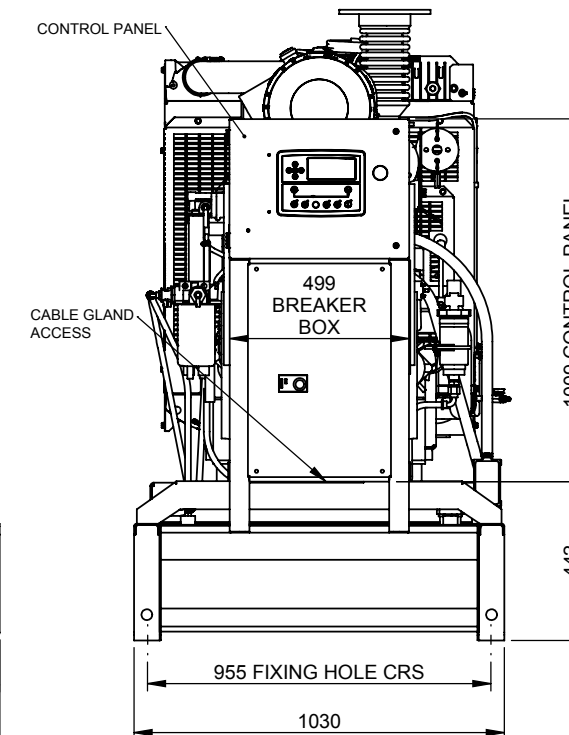
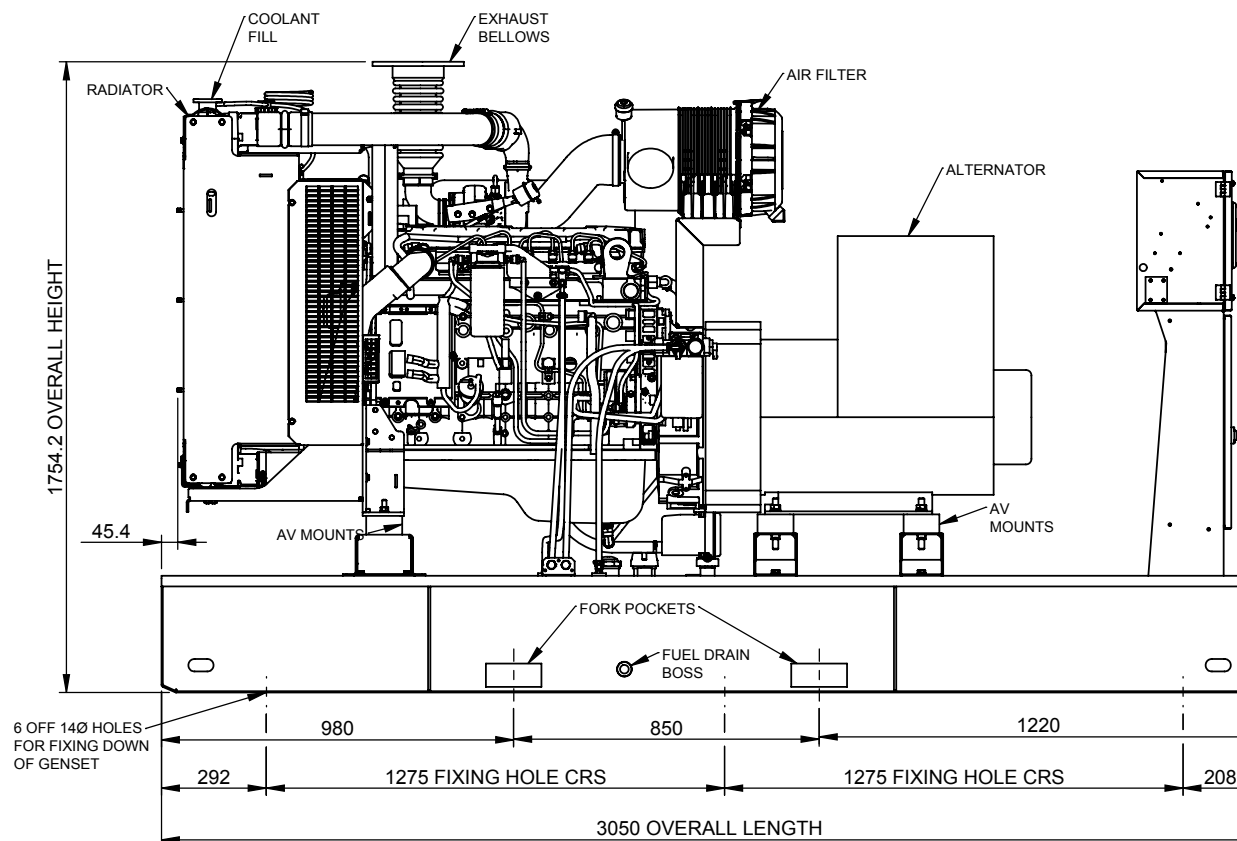
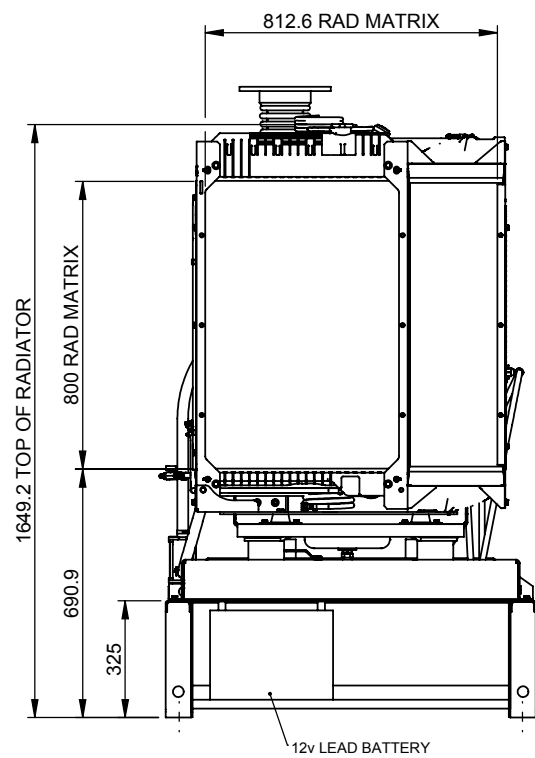
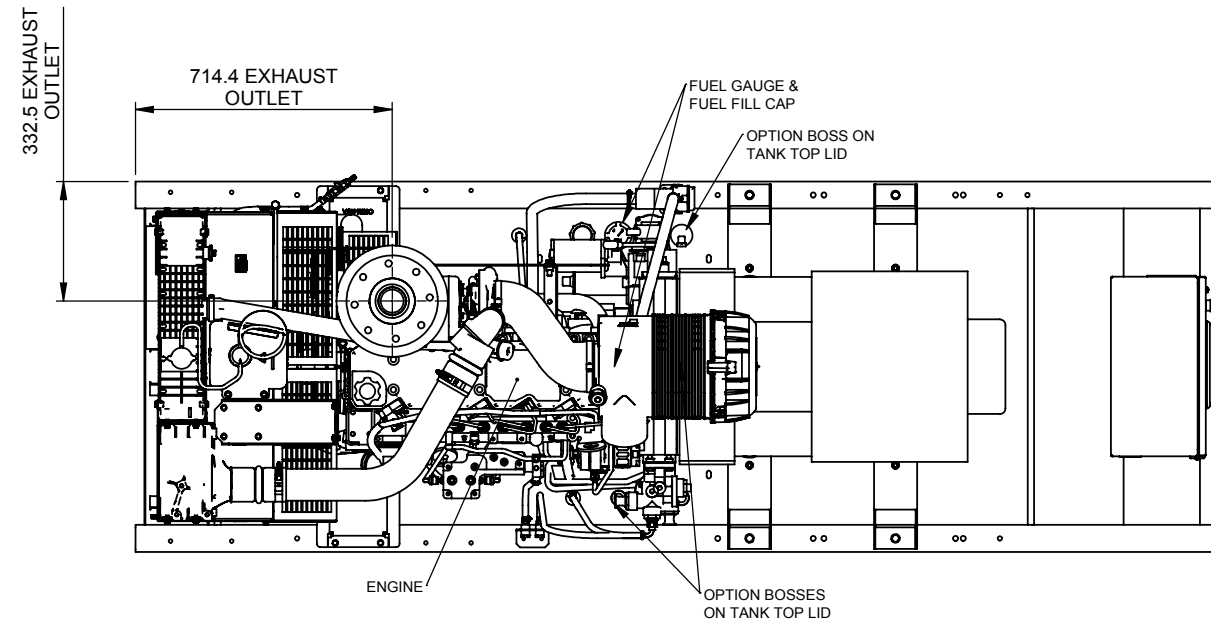
USABLE FUEL CAPACITY:(INTEGRAL) 380 LITRES  
(BUNDED) 348 LITRES

COOLING CAPACITY: 36.3 LITRES

OIL CAPACITY 18.9 LITRES

GENERATOR TO BE PLACED ON A FLAT FLOOR OR CONCRETE BASE

| GEN SET MODEL   | ENGINE  | ALTERNATOR | WEIGHT (DRY) | WEIGHT (WET) |
|-----------------|---------|------------|--------------|--------------|
| BCC 160-60 T3/F | QSB7-G3 | UCI274F    | 1463         | 1815         |
| BCC 175-60 T3/F | QSB7-G4 | UCI274G    | 1515         | 1867         |
| BCC 200-60 T3/F | QSB7-G5 | UCI274H    | 1561         | 1913         |



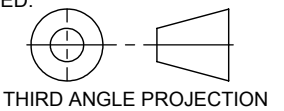
| REV | DETAILS                              | APP'D | DATE     |
|-----|--------------------------------------|-------|----------|
| A   | NEW SALES GA                         | IWR   | 15/07/13 |
| B   | SHOWS CHANGES TO ALTERNATOR SUPPORT. | IWR   | 03/10/13 |

NOTES - MECHANICAL

TOLERANCES:

GENERAL TOLERANCES: +/- 5mm  
FABRICATION: +/- 3mm  
HOLE CENTRES: +/- 1mm  
OTHER TOLERANCES AS OTHERWISE STATED WHERE REQUIRED

GEOMETRICAL AND OTHER TOLERANCES AS STATED.



DESCRIPTION  
CUMMINS QSB7-G3 - UCI274F,  
G4 - UCI274G, G5 - UCI274H (60Hz)  
OPEN FRAME 5 SALES GA

SHEET 1 of 1

|              |            |
|--------------|------------|
| CREATED BY:  | I RUTTER   |
| DATE:        | 15/07/2013 |
| MODIFIED BY: | I RUTTER   |
| DATE:        | 03/10/2013 |
| CHECKED BY:  | P RUTTER   |
| DATE:        | 03/10/2013 |
| ISSUE:       | B          |

DRAWING No:  
**CGA055**

**broadcrown**  
Broadcrown Limited (Group Headquarters)  
Airfield Industrial Estate, Hixon, Stafford,  
ST18 0PF, United Kingdom.  
tel: +44 (0) 1889 272200  
www.broadcrown.com



MATERIAL:

FINISH: