

FOR INDIVIDUAL GEN SET MODEL TYPES SEE BROADCAST LITERATURE

ENGINE TYPE: CUMMINS QSB7-G SERIES(60Hz)

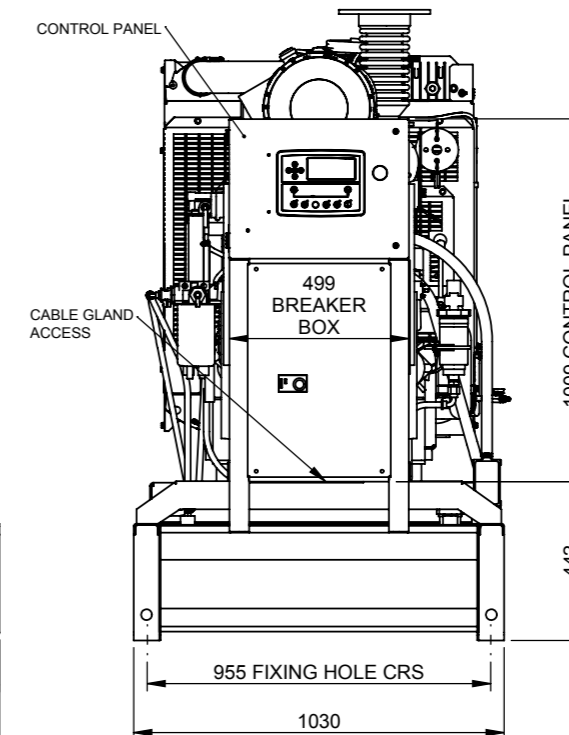
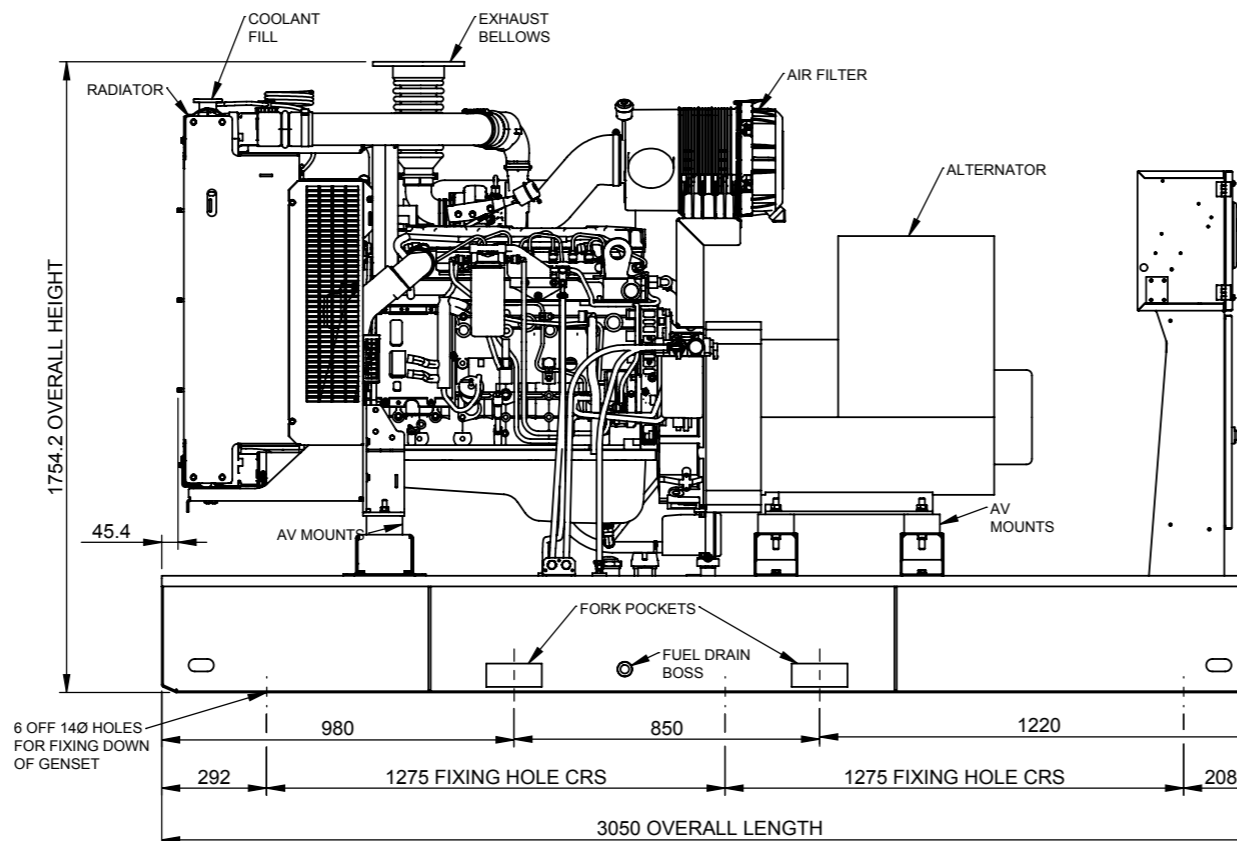
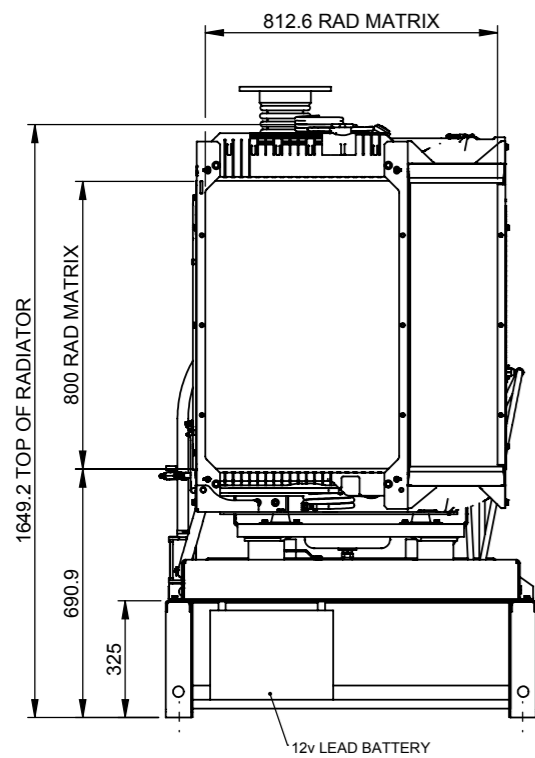
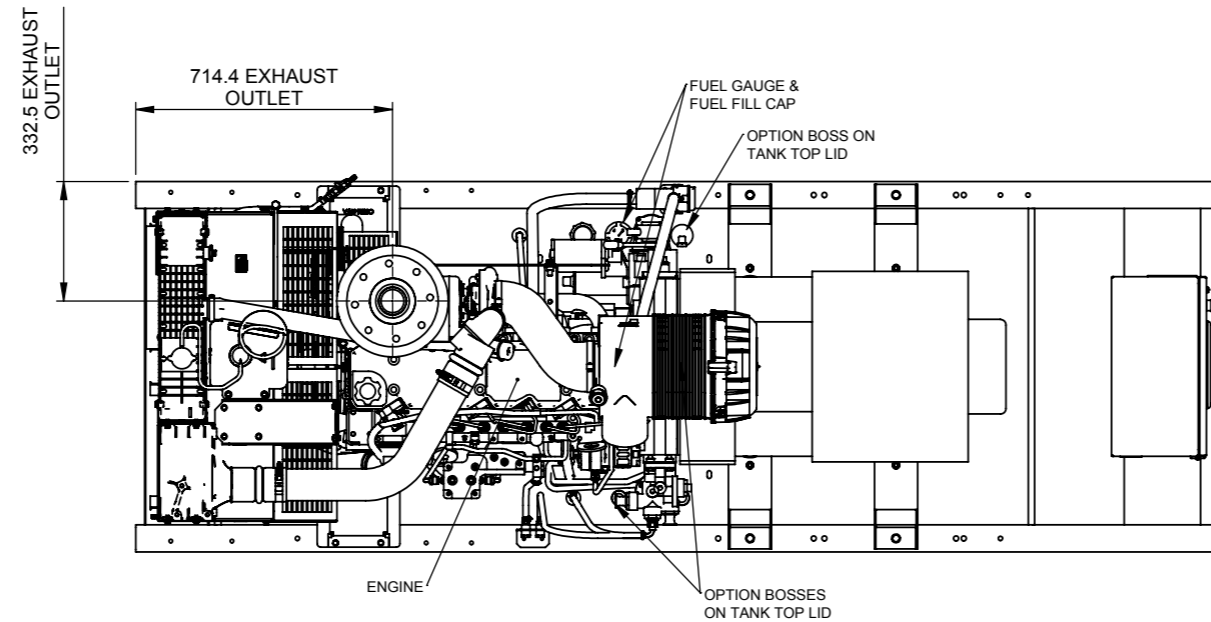
USABLE FUEL CAPACITY:(INTEGRAL) 380 LITRES  
(BUNDED) 348 LITRES

COOLING CAPACITY: 36.3 LITRES

OIL CAPACITY 18.9 LITRES

GENERATOR TO BE PLACED ON A FLAT FLOOR OR CONCRETE BASE

GEN SET MODEL	ENGINE	ALTERNATOR	WEIGHT (DRY)	WEIGHT (WET)
BCC 160-60 T3/F	QSB7-G3	UCI274F	1463	1815
BCC 175-60 T3/F	QSB7-G4	UCI274G	1515	1867
BCC 200-60 T3/F	QSB7-G5	UCI274H	1561	1913



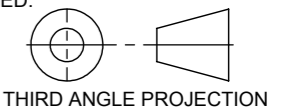
REV	DETAILS	APP'D	DATE
A	NEW SALES GA	IWR	15/07/13
B	SHOWS CHANGES TO ALTERNATOR SUPPORT.	IWR	03/10/13

NOTES - MECHANICAL

TOLERANCES:

GENERAL TOLERANCES: +/- 5mm  
FABRICATION: +/- 3mm  
HOLE CENTRES: +/- 1mm  
OTHER TOLERANCES AS OTHERWISE STATED WHERE REQUIRED

GEOMETRICAL AND OTHER TOLERANCES AS STATED.



DESCRIPTION  
CUMMINS QSB7-G3 - UCI274F,  
G4 - UCI274G, G5 - UCI274H (60Hz)  
OPEN FRAME 5 SALES GA

SHEET 1 of 1

CREATED BY:	I RUTTER
DATE:	15/07/2013
MODIFIED BY:	I RUTTER
DATE:	03/10/2013
CHECKED BY:	P RUTTER
DATE:	03/10/2013
ISSUE:	B

DRAWING No:  
**CGA055**

**broadcrown**  
Broadcrown Limited (Group Headquarters)  
Airfield Industrial Estate, Hixon, Stafford,  
ST18 0PF, United Kingdom.  
tel: +44 (0) 1889 272200  
www.broadcrown.com



MATERIAL:

FINISH: