

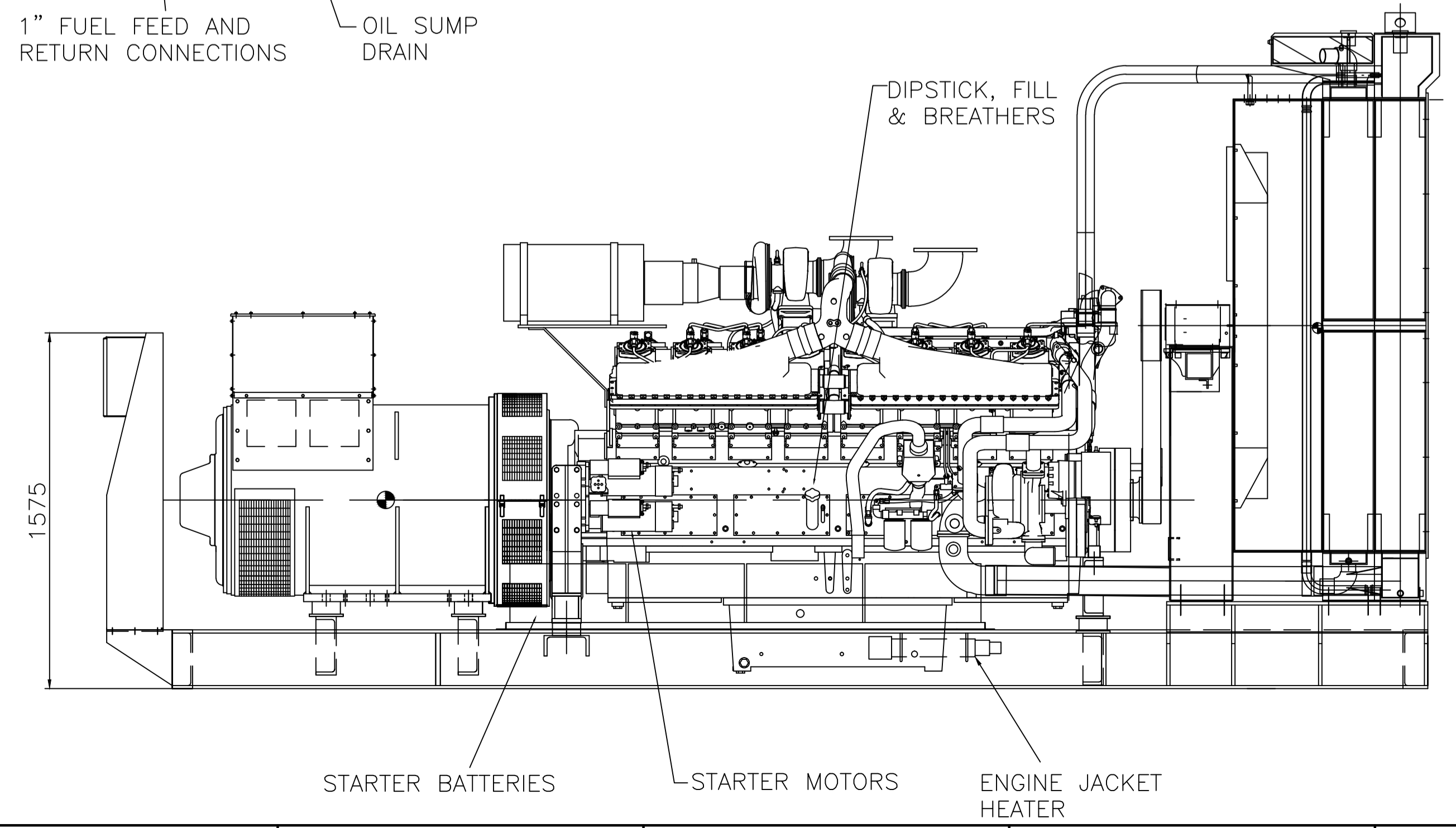
GENSET DETAILS-

ENGINE: CUMMINS QSK50 G4
 ALTERNATOR: NEWAGE PI 734C (SINGLE BEARING)
 RADIATOR: BEARWARD 5684000001

WEIGHTS:-
 ENGINE: 5410 KG DRY, 5712 kg WET
 ALTERNATOR: 3018 kg
 RADIATOR: 1170 kg DRY, 1470 kg WET
 BASIC GENERATOR WEIGHT: 10,723 kg (DRY)
 11,325 kg (WET)

CONTROL PANEL: 20 kg

COLOURS:-
 ENGINE:- MAIZE YELLOW
 BASEFRAME, ALTERNATOR & RADIATOR:- SEMI GLOSS BLACK



No.		ALTERATIONS		CHK'D	DATE
NOTES - MECHANICAL					
TOLERANCES: GENERAL TOLERANCE + / - 5MM FABRICATION + / - 5MM HOLE CENTRES + / - 1MM OTHER TOLERANCES AS STATED WHERE REQUIRED					
		DO NOT SCALE IF IN DOUBT ASK			
THIRD ANGLE PROJECTION					
TITLE: GENSET GENERAL ARRANGEMENT					
CLIENT: BROADCASTCROWN LTD.					
SITE: -					
W.O. No.:		ENGINEER:		DWM	
TYPE:		DRAWN BY:		RJW	
SCALE: NTS		DATE:		MAY. '12	
TOTAL No. OF SHEETS (1 - 999)					I
DRAWING NO.					ISSUE
BCC1500S-GA01-A1					A
 Broadcrown Ltd , Airfield Industrial Estate Hixon, Stafford, Staffs ST18 0PF, England tel:+44 (0) 1889 272200 email: info@broadcrown.co.uk www.broadcrown.com					