

FOR INDIVIDUAL GEN-SET MODEL TYPES SEE BROADCASTCROWN LITERATURE

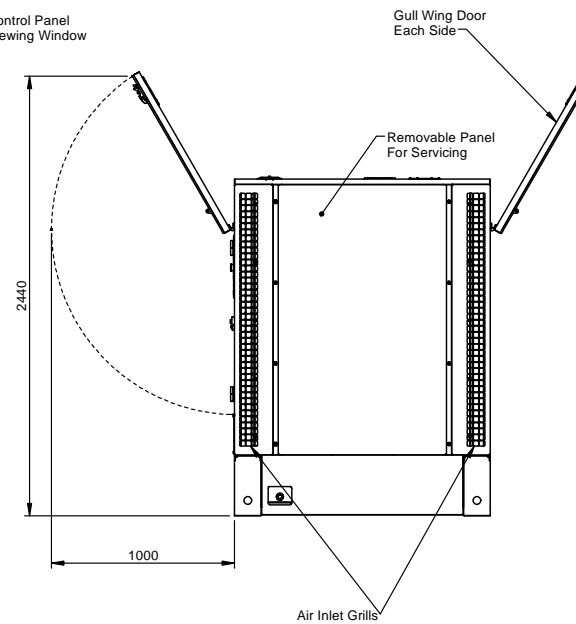
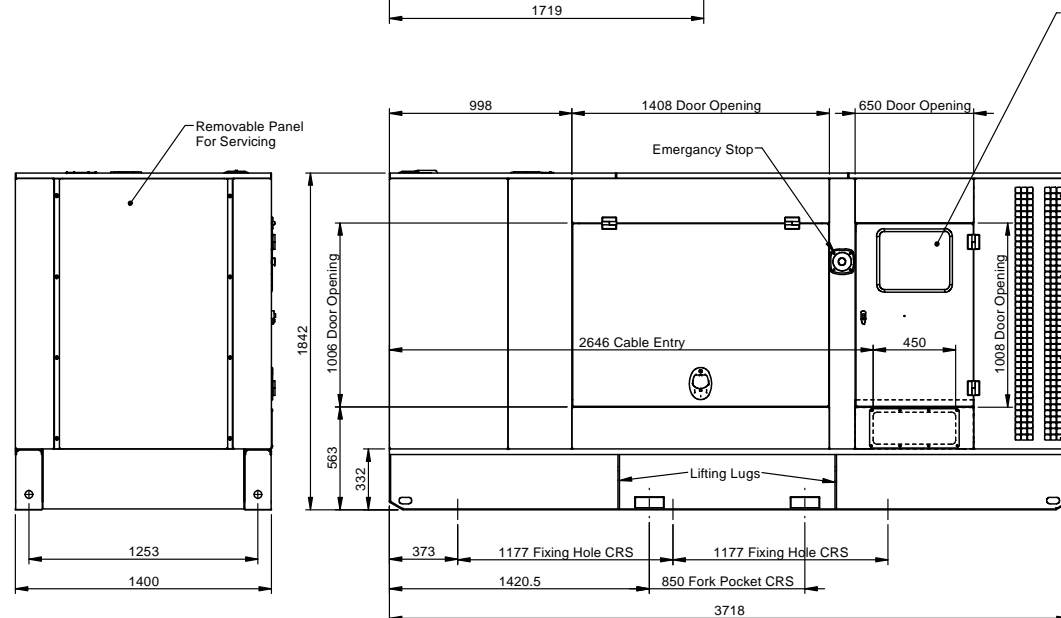
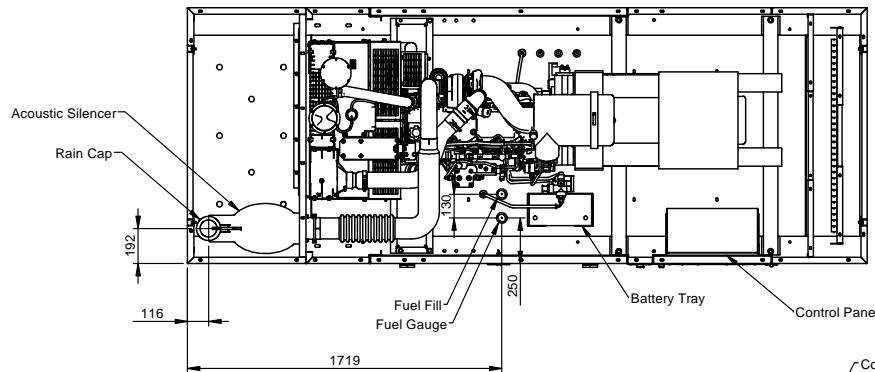
USEABLE FUEL CAPACITY: 625L

OIL CAPACITY: 19L

COOLANT CAPACITY: 33.5L

GENERATOR IS TO BE PLACED ON A FLAT FLOOR OR CONCRETE BASE

Gen Set Model	Engine	Alternator	Weight (Dry)	Weight (Wet)
BCC 150-60 T3F	QSB7-G3	UCI 274 F	2321Kg	2890Kg
BCC 160-60 T3F	QSB7-G3	UCI 274 F	2321Kg	2890Kg
BCC 175-60 T3F	QSB7-G4	UCI 274 G	2373Kg	2942Kg
BCC 200-60 T3F	QSB7-G5	UCI 274 H	2419Kg	2988Kg



MATERIAL:	
FINISH:	

B	Fuel Filler & Fuel Gauge Detail Added	SJB	29/11/11
---	---------------------------------------	-----	----------

REV	DETAILS	APP'D	DATE
-----	---------	-------	------

NOTES - MECHANICAL
 TOLERANCES:
 GENERAL TOLERANCES: +/- 5mm
 FABRICATION: +/- 3mm
 HOLE CENTRES: +/- 1mm
 OTHER TOLERANCES AS OTHERWISE STATED WHERE REQUIRED
 GEOMETRICAL AND OTHER TOLERANCES AS STATED.

THIRD ANGLE PROJECTION

DESCRIPTION
 C4R QSB7 60Hz Sales Gen Assy

SHEET 1 of 1
 CREATED BY: S BEAN
 DATE: 07/06/11
 MODIFIED BY: S BEAN
 DATE: 29/11/11
 CHECKED BY: P RUTTER
 DATE: 29/11/11
 ISSUE: B

DRAWING No:
CGA012

 Broadcrown Limited (Group Headquarters)
 Airfield Industrial Estate, Hixon, Stafford,
 ST18 0PF, United Kingdom.
 tel: +44 (0) 1889 272200
 www.broadcrown.com