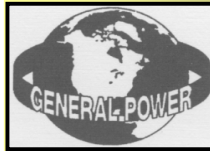


GENPOWER GP1000

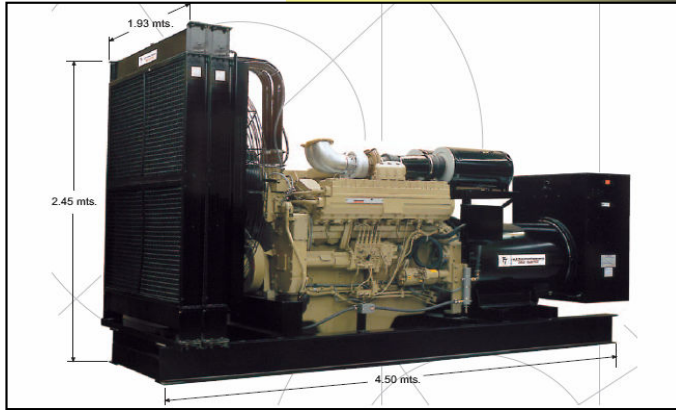
Generator Set Model:	GP1000
Standby Power:	1000 Kw (1250 Kva)
Prime Power:	909 Kw (1136 Kva)
Voltage:	440 V
Frequency:	60 Hz



www.genpowerusa.com

STANDARD FEATURES:

- >Auto Start Control Panel
- >Kim Hotstart Heater & Thermostat
- >Electronic Governor
- >Electronic Battery Charger
- >Industrial Silencer
- >Dry Type Air Filters
- >Skid and Vibration Isolators
- >User Manual



PRP : Prime Power is available for an unlimited number of annual operating hours in variable load applications
 ESP : The standby power rating is applicable for supplying emergency power in variable load applications

Technical Data

Engine:	Cummins QST30G4
Alternator:	Stamford HCI634J
Gross Engine Power Output:	1490 BHP at 1800 rpm
No. Of Cylinders/Alignment:	12 in V
Bore x Stroke:	140 x 165 mm
Displacement:	30.48 Lts
Piston Speed:	9.9 m / sec
Compression Ratio:	14.0:1
Fuel Consumption:	267.0 Lts / Hrs
Aspiration:	Turbocharged and Aftercooled
Electrical System:	24 Volts
Oil Total System Capacity	154.0 Lts
Electric Governor:	Electronic
Water Preheater:	(2x) 1000 Watts



Dimensions and Weights

Aprox. Dry Weight:	6535 Kgs
Aprox. Wet Weight:	6932 Kgs
Dimensions:	(L) 4.50mts x (W) 1.93mts x (H) 2.45mts

GP1000 GenSet 1000kw (1250 kva)

GENERAL POWER LIMITED, INC
 8235 NW 64 Street Suite 2
 Miami, Florida 33166
 Tel 305 471 9566 Fax 305 471 9568
www.genpowerusa.com / info@genpowerusa.com

All data subject to change without prior notice. All names, images and marks are property of their respective owners

